

Ultra Compact Telecentric

VS-MTC **3.45 μ m**
SERIES

Industry's Smallest and Lightest *1
S-mount Telecentric Lens

*1: An in-company investigation (Apr. 2019)



1.6 Mega Pixel, 1/2.9"
Opt. Mag.: 0.69x / 1.0x / 2.0x
WD: 15mm (O/I < 55mm)

Industry's Smallest and Lightest *1 S-mount Telecentric Lens

*1: An in-company investigation (Apr. 2019)

Features

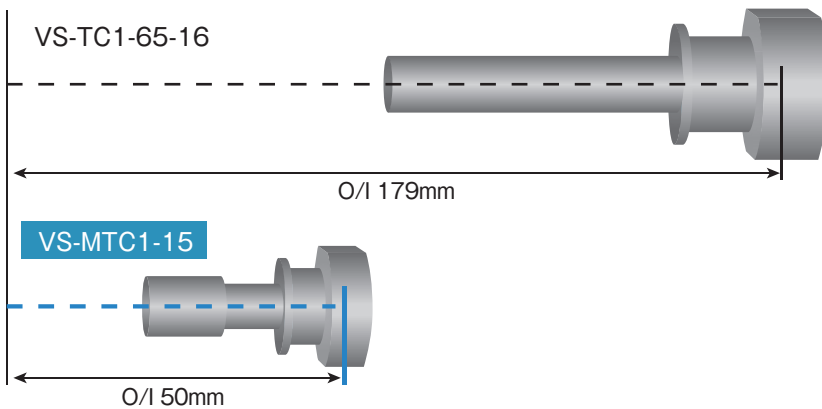
- Ultra compact and light weight 10g (1.0x) Telecentric lens.
- 3 models 0.69x/1.0x/2.0x
- 3.45 μ m Resolution
- Optional lock ring is available



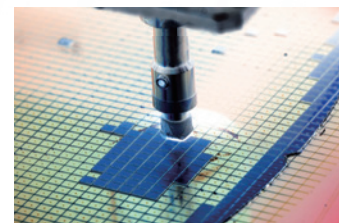
Model No.	Opt. Mag.	Coaxial	WD	O/I	Dimension	Max Sensor
VS-MTC069-15	0.69x	-	15mm	55mm	ϕ 15 x L=35mm	1/2.9"
VS-MTC1-15	1.0x	-	15mm	50mm	ϕ 14 x L=30mm	1/2.9"
VS-MTC2-15	2.0x	-	15mm	55mm	ϕ 14 x L=35mm	1/2.9"

Compact Design

Short O/I design in combination with a compact camera enables to install a vision system into limited spaces!



Embedded Vision



International Sales Offices

VST Europe (Amsterdam)
TEL: +31-20-305-1310

VST Europe (Paris)
TEL: +33-6-51-12-12-01

VST EU (Poland)
TEL: +48-22-492-6683

VST Thailand (Bangkok)
TEL: +662-278-6808

VST Vietnam (Hanoi)
TEL: +84-24-6327-8566

VST India (Bengaluru)
TEL: +91-80888-31893

VST Korea (Seoul)
TEL: +82-2-2183-3848

VST Shenzhen (Shenzhen)
TEL: +86-755-8273-1420

VST Shenzhen (Shanghai)
TEL: +86-21-6255-0725

VST Taiwan (Taipei)
TEL: +886-2-2531-2036

VST Taiwan (Hsinchu)
TEL: +886-3-668-1381

VST Mexico (Tijuana)
TEL: +52-664-380-6169

VST America (Chicago)
TEL: +1-847-952-3800

VST America (Dallas)
TEL: +1-972-773-9686