

Machine Vision Optics Data 2020 -2021 Catalogue Error Correction Notice



Please note that we have been notified of model number error in the Machine Vision Optics Data 2020-2021 catalogue. The following modified content which includes a correction of error table. We apologize for any inconvenience this may have caused you.

P110 VS-LTC1-130-45/FS WD

WD	Current	Updated
	130.0mm	130.0mm ±4mm

P110 VS-LTC1-130CO-45/FS WD

WD	Current	Updated
	130.0mm	130.0mm ±4mm

P139 MOS / MOL items (NA & WD)

Objective Lenses						
VS-MOS						
	VS-MOS5X	VS-MOS10X	VS-MOS20X	VS-MOS50X	VS-MOS100X	
Mag.	5X	10X	20X	50X	100X	
NA	0.1 0.1	0.3 0.3	0.4 0.4	0.55	0.8	
WD (mm)	11.5 11.5	6.8 6.8	11.1 11.1	8.2	2	
Focal length (f)(mm)	40	20	10	4	2	
DOF	14	3.5	1.6	0.9	0.4	
FOV (mm) 1/2CCD	0.96x1.28	0.4x0.64	0.24x0.32	0.1x0.13	0.05x0.06	

VS-MOL						
	VS-MOL2X	VS-MOL5X	VS-MOL10X	VS-MOL20X	VS-MOL50X	VS-MOL100X
Mag.	2X	5X	10X	20X	50X	100X
NA	0.055	0.13	0.28	0.2 0.2	0.42	0.55
WD (mm)	34.4 34.4	45	34	31	20.5	12.6 12.6
Focal length (f)(mm)	100	40	20	10	4	2
DOF	91	14	3.5	3.5	1.6	0.9
FOV (mm) 1/2CCD	2.4x3.2	0.96x1.28	0.43x0.64	0.24x0.32	0.10x0.13	0.05x0.06

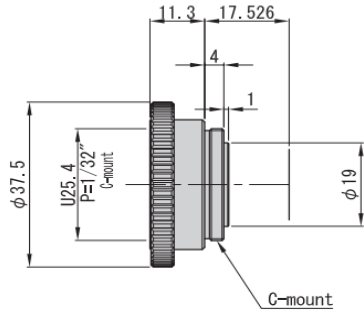
P17 Table for WD, FOV and Extension Tube Length (Reference)

Extension Tube (mm)	Model Focal Length	SV-0614H	SV-0814H	SV-1214H	SV-1614H	SV-2514H	SV-3514H	SV-5014H	SV-5026H
		f6	f8	f12	f16	f25	f35	f50	f50
0	Focus	∞~100	∞~100	∞~100	∞~100	∞~150	∞~200	∞~300	∞~500
	WD	100	100	100	100	150	200	300	500
	2/3"	134.0x158.5	101.4x120.0	68.9x81.6	52.2x61.8	47.7x56.4	42.0x49.7	42.3x50.0	65.7x77.8
	1/2"	90.6x120.8	68.6x91.4	46.6x62.1	35.3x47.1	32.2x43.0	28.4x37.9	28.6x38.1	44.4x59.3
0.5	Mag.	0.053x	0.070x	0.103x	0.136x	0.149x	0.169x	0.168x	0.108x
	WD	58.8 29.6	112.5 45.7	280.5 67.2	503.0 79.7	1232.0 133.8	2493.7 190.5		
	2/3"	86.6x102.4, 52.6x62.2	112.7x133.3, 53.4x63.2	173.2x204.9, 49.3x58.3	229.0x271.0, 42.5x50.3	355.0x420.0, 42.0x49.7	507.1x600.0, 38.8x45.9		
	1/2"	58.5x78.0, 35.6x47.4	76.2x101.6, 36.1x48.1	117.1x156.1, 33.3x44.4	154.8x206.5, 28.7x38.3	240.0x320.0, 28.4x37.9	342.9x457.1, 26.2x35.0		
1	Mag.	0.082x 0.135x	0.063x 0.133x	0.041x 0.144x	0.031x 0.167x	0.020x 0.169x	0.014x 0.183x		
	WD			132.4 48.7	241.7 64.5	607.1 118.2	1200.4 176.0	2502.7 277.0	2534.6 425.5
	2/3"			87.7x103.7, 38.6x45.7	114.5x135.5, 35.9x42.4	177.5x210.0, 37.6x44.4	244.8x289.7, 35.9x42.4	355.0x420.0, 37.8x44.7	355.0x420.0, 37.8x44.7
	1/2"			59.3x79.0, 26.1x34.8	77.4x103.2, 24.2x32.3	120.0x160.0, 25.4x33.9	165.5x220.7, 24.2x32.3	240.0x320.0, 25.5x34.0	240.0x320.0, 25.5x34.0
1.5	Mag.			0.081x 0.184x	0.062x 0.198x	0.040x 0.189x	0.029x 0.198x	0.020x 0.188x	0.020x 0.188x
	WD			81.4 36.5	154.7 53.4	398.8 105.5	807.4 164.3	1669.3 263.6	167.7
	2/3"			58.2x68.9, 31.6x37.3	76.3x90.3, 31.0x36.7	118.3x140.0, 34.0x40.2	165.1x195.3, 33.5x39.6	236.7x280.0, 35.9x42.4	236.7x280.0, 35.9x42.4
	1/2"			39.3x52.5, 21.3x28.4	51.6x68.8, 21.0x27.9	80.0x106.7, 23.0x30.6	111.6x148.8, 22.6x30.2	160.0x213.3, 24.2x32.3	160.0x213.3, 24.2x32.3
2	Mag.			0.122x 0.225x	0.093x 0.229x	0.060x 0.209x	0.043x 0.212x	0.030x 0.198x	0.030x 0.138x
	WD			112.2 45.2	294.7 95.1	607.4 154.1	1252.7 251.4	126.1	
	2/3"			57.7x68.3, 27.4x32.4	88.8x105.0, 31.0x36.7	124.6x147.4, 31.4x37.2	177.5x210.0, 34.1x40.4	177.5x210.0, 34.1x40.4	
	1/2"			39.0x52.0, 18.5x24.7	60.0x80.0, 21.0x27.9	84.2x112.3, 21.2x28.3	120.0x160.0, 23.1x30.8	120.0x160.0, 23.1x30.8	

P140 Error correction - Model no.

SV 20X 1

SV-2.0X-1



Model	SV-1.0X
Specification	2x
Sensor Size (max.)	1"

SV-2.0X-1

■ P140 Erroe correction - Reference page no.

Modulation Transfer Function (MTF)

The spatial frequency and contrast ratio represen reproduced on the image side (see ~~P.126~~ for details).
P.157